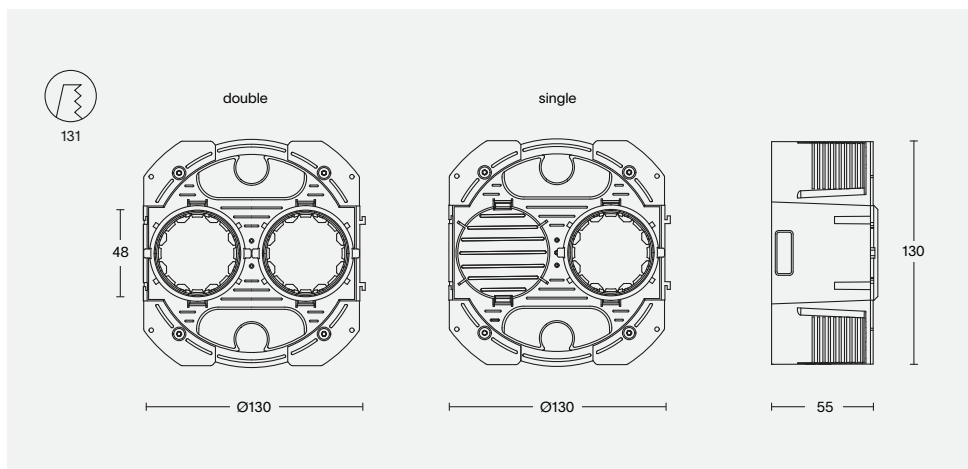


## rond 2.0 easyfit plaster box



## tech specs

kit size	h 130 d 55
cut-out size	Ø 131 d 55
location	indoor
weight	0.3 kg
power	max. 250V - 16A per socket
connection	16 or 20mm Copex tubes
adjustability	3 positions: 4, 8 and 12mm
compatibility	rond 2.0 retrofit / easyfit socket
centre-to-centre	60mm between sockets
centre-to-centre	120mm between coupled boxes

## order number

8800 - 2014	easyfit plaster box - double
8800 - 2013	easyfit plaster box - single