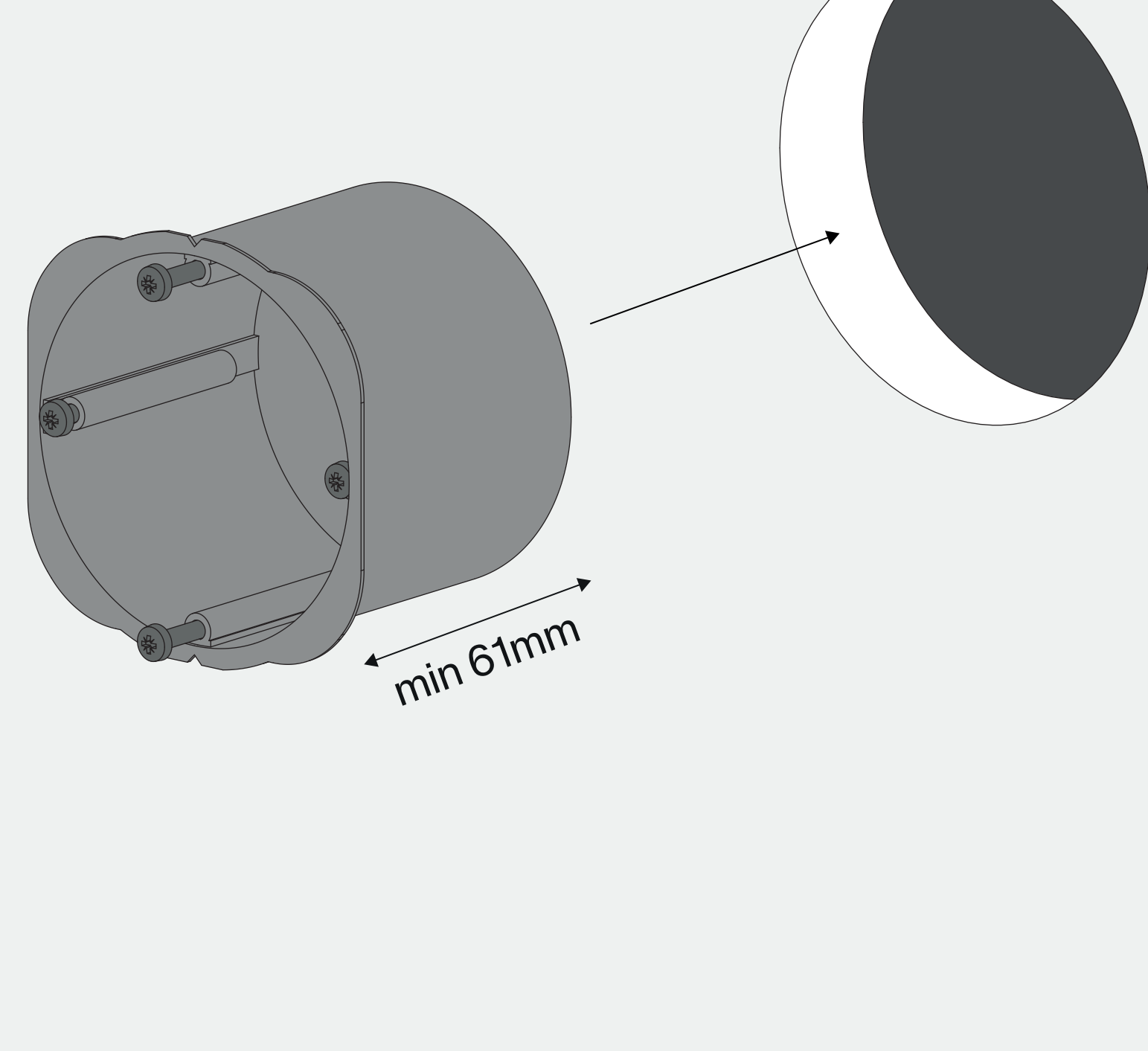
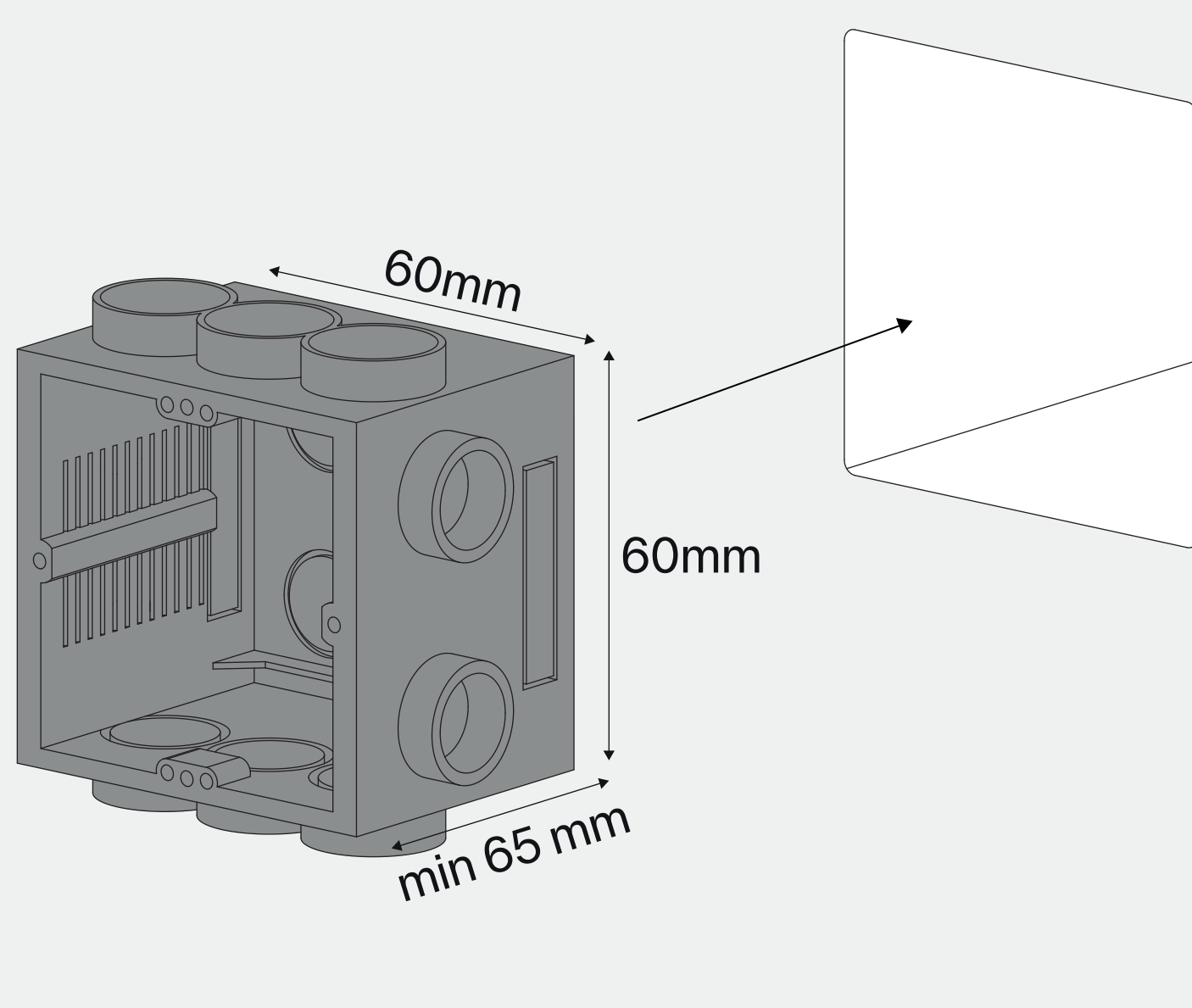


retrofit plaster ring installation instruction

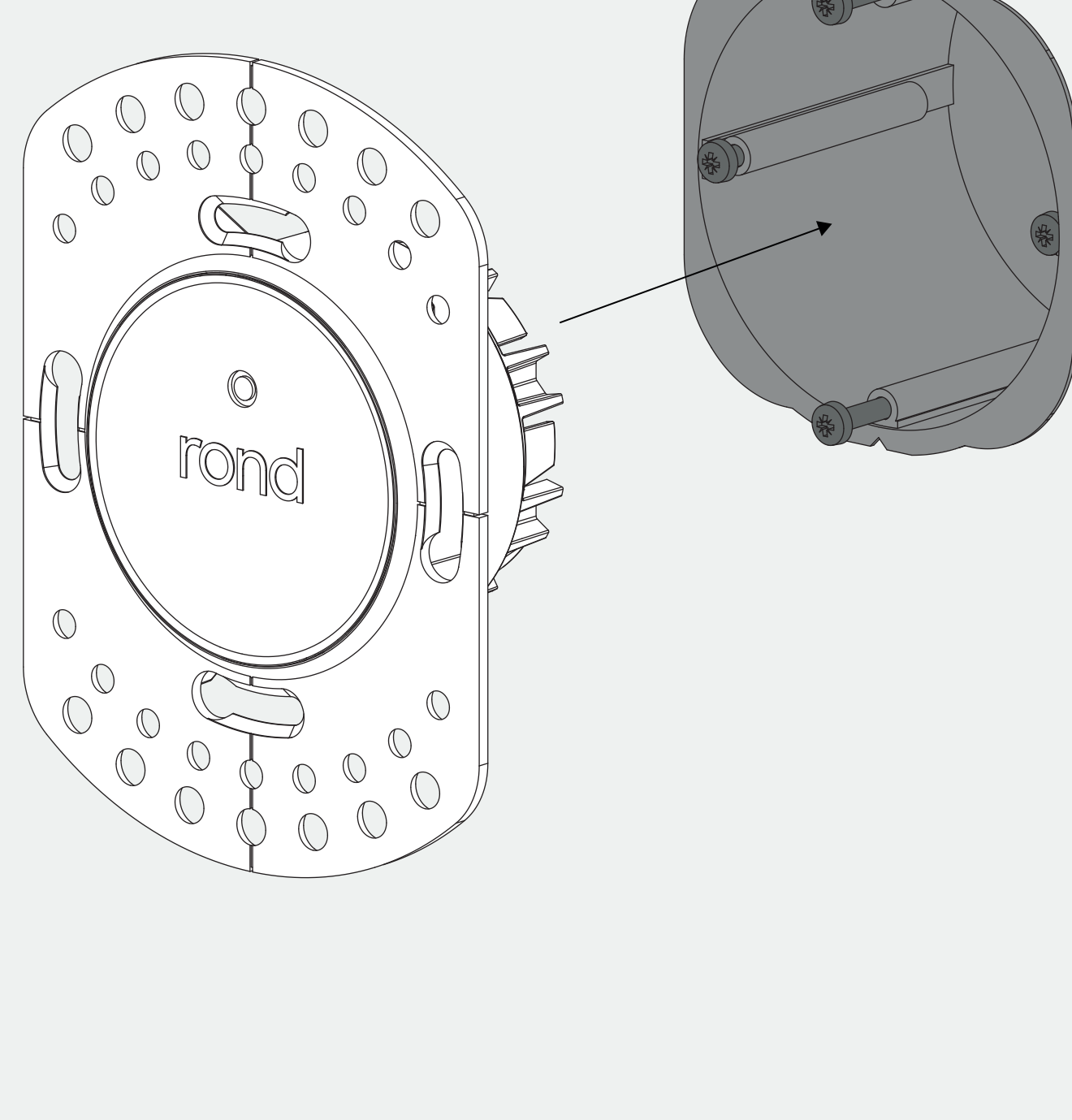
1



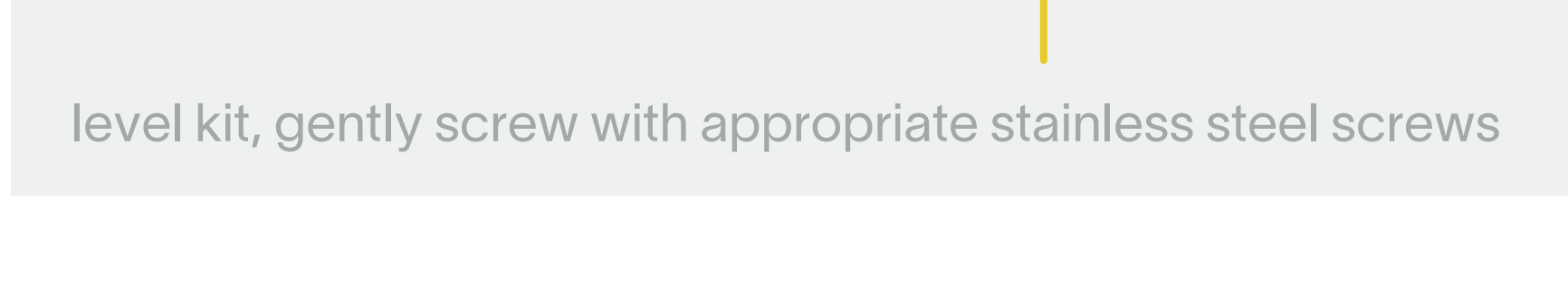
or



2

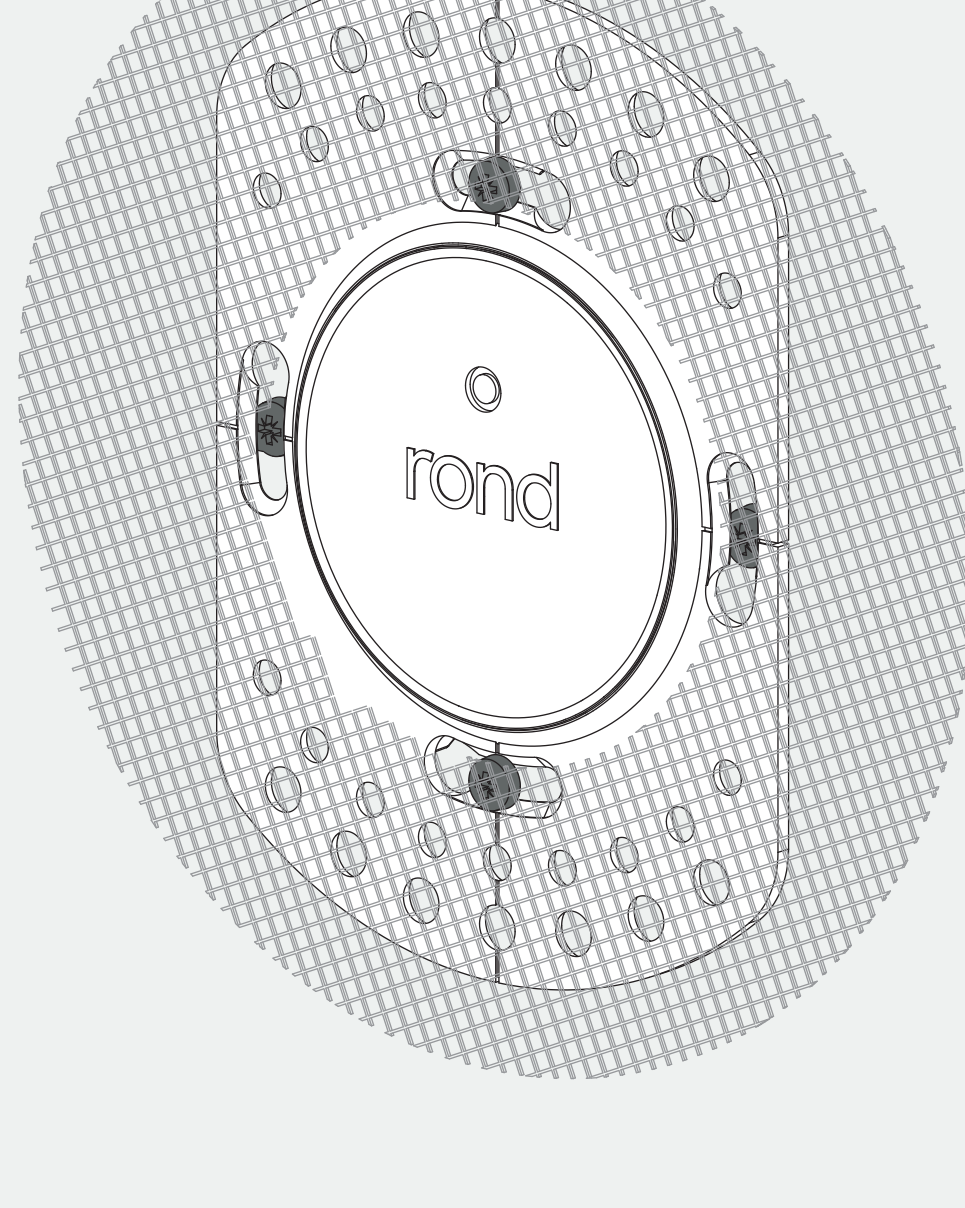


3

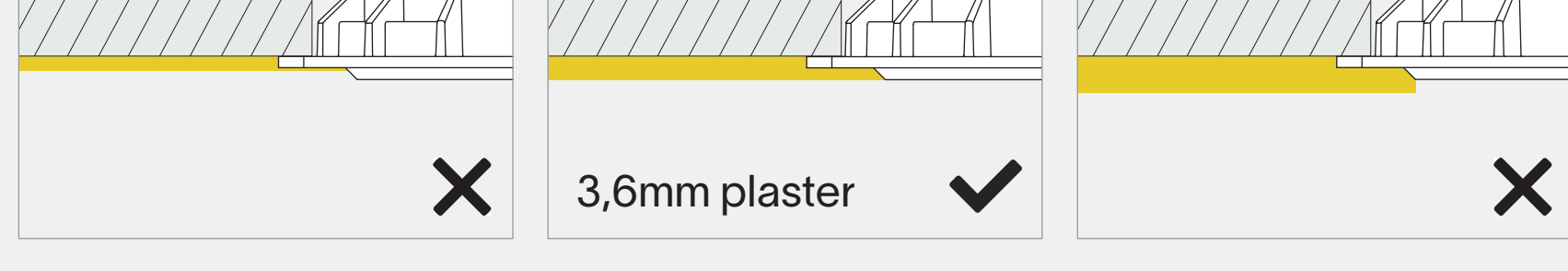


level kit, gently screw with appropriate stainless steel screws

4



5



thank you for choosing rond